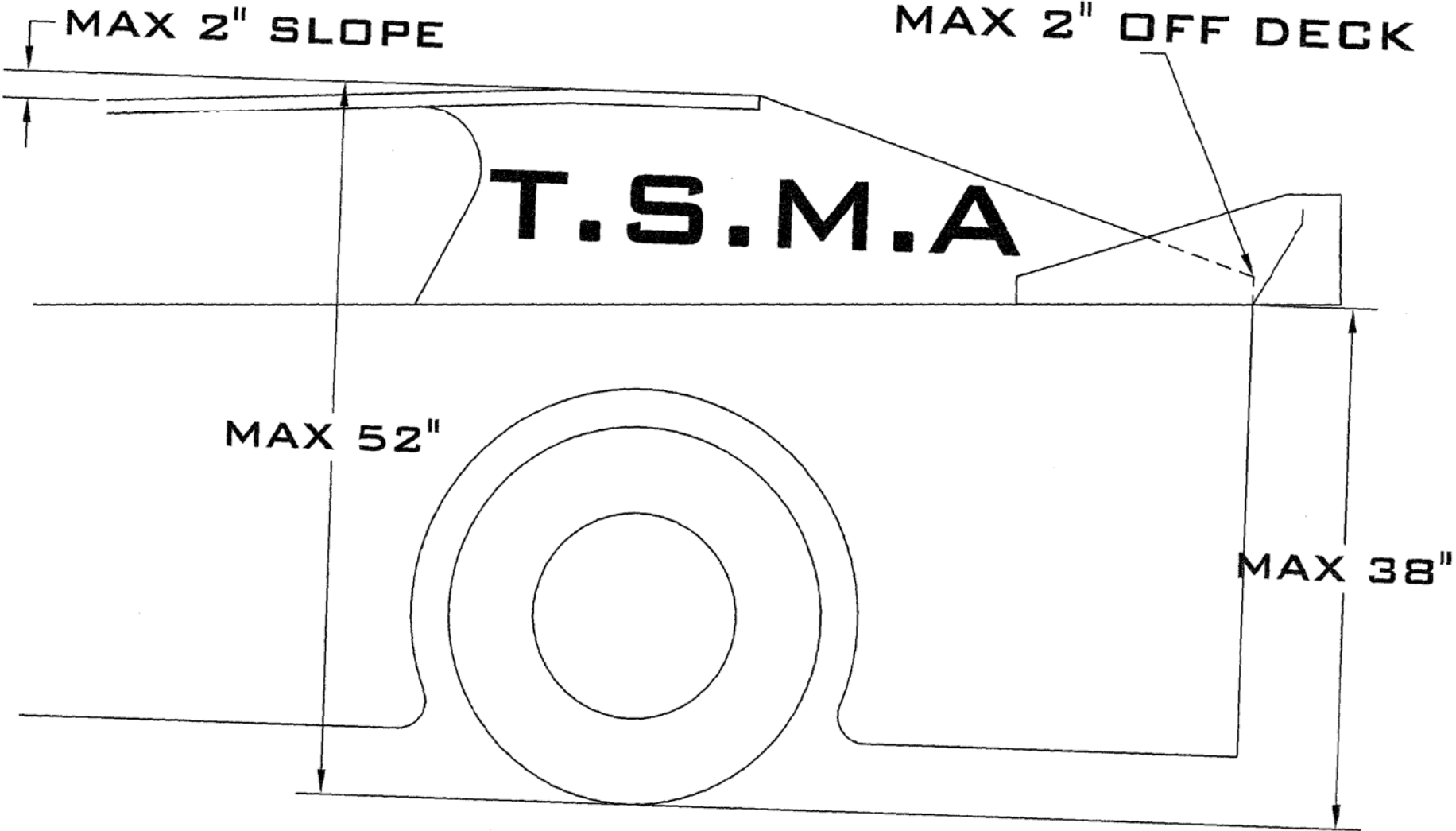
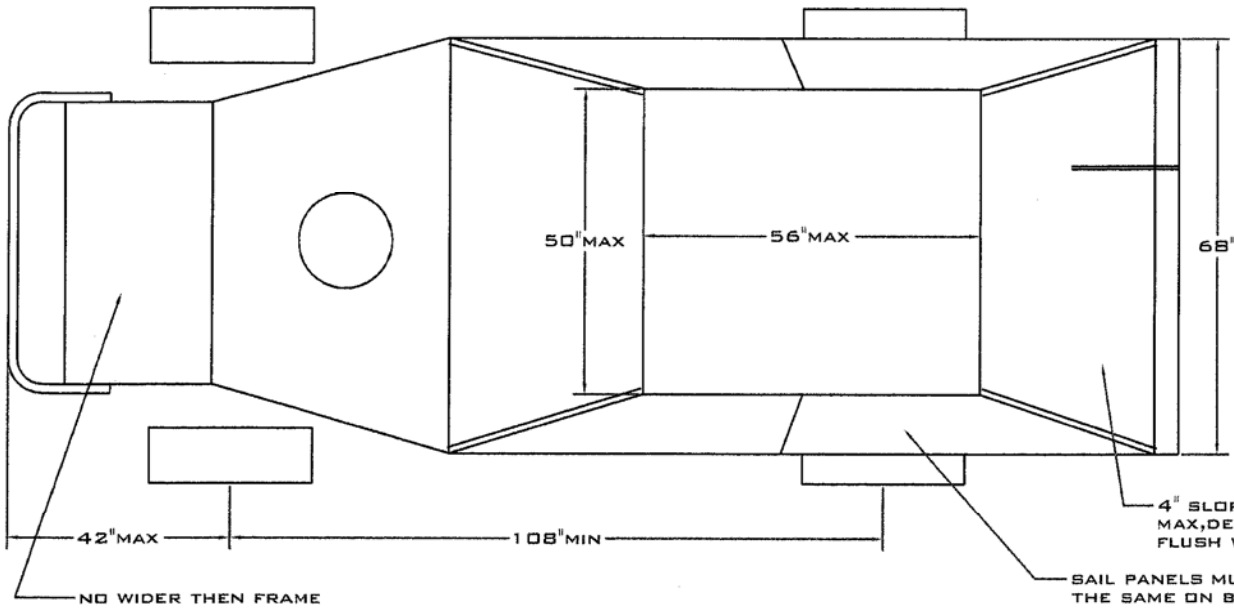


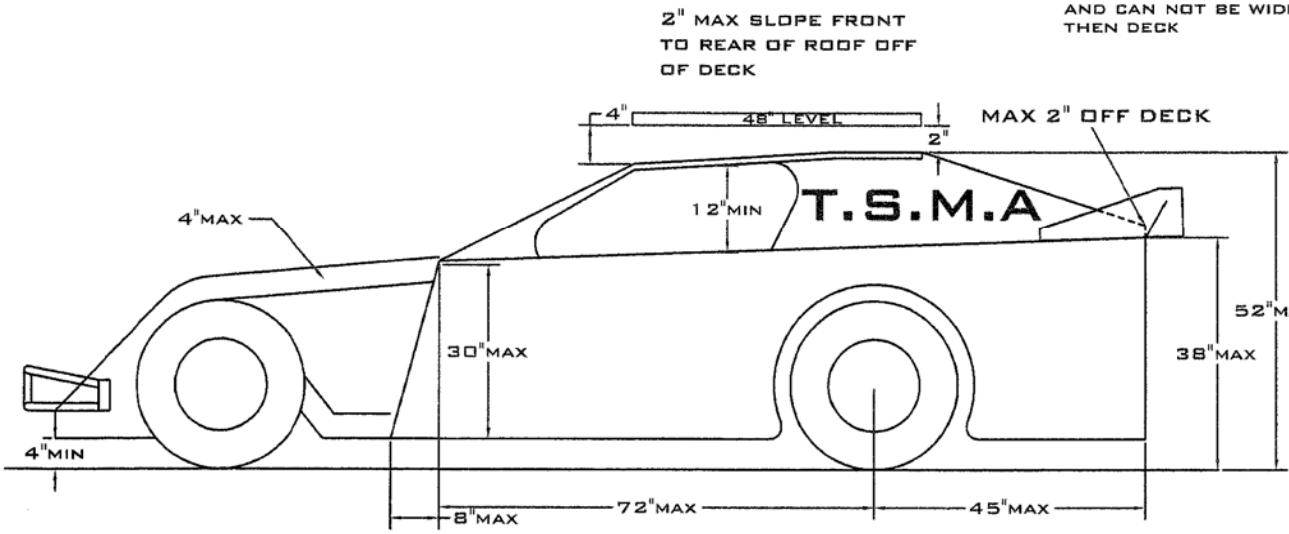
8" SPOILER



T.S.M.A 2010 BODY RULES

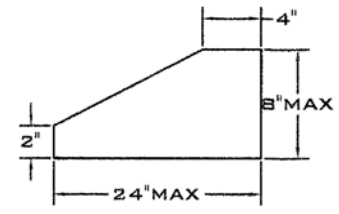


DECK MUST REMAIN FLAT
SIDE TO SIDE
THE SAME WIDTH FRONT
TO REAR



2" MAX SLOPE FRONT
TO REAR OF ROOF OFF
OF DECK

SAIL PANELS MUST BE
THE SAME ON BOTH SIDES
AND CAN NOT BE WIDER
THEN DECK



8" SPOILER CAN USE 3 SUPPORTS
ALL THE SAME SHAPE, CAN NOT BE
PART OF OR FASTENED TO SAIL
PANEL
SAIL PANELS CAN BE USED AS
SPOILER SUPPORT ONLY WITH A
5" SPOILER

